

GE

Energy Connections

Model 3P665

Current Transformer
Window Size 2.63" x 4.88"

Application

3 phase metering.

Frequency

50-400 Hz.

Insulation Level

600 Volts, 10 kV BIL full wave.

The core and coil assembly is encased in a thermoplastic shell.

Four 12 gauge wires exit right side (H1 side). Wire length is 24" long, labeled as shown.

Approximate weight 7.5 lbs



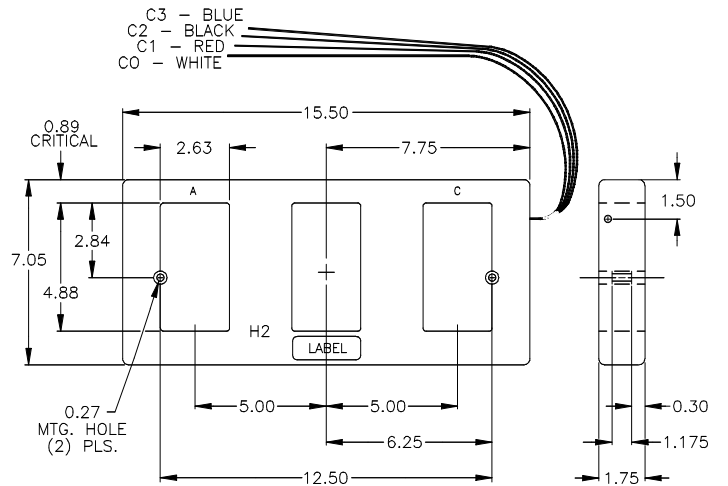
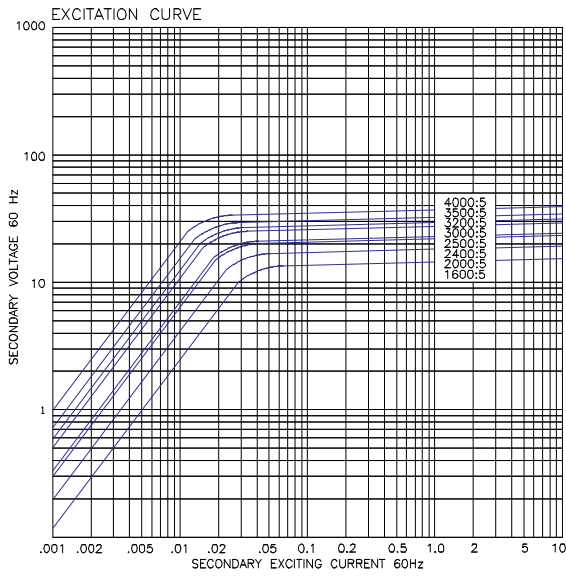
REGULATORY AGENCY APPROVALS
 E93779  LR89403
 Manufactured to meet the requirements of ANSI/IEEE C57.13.
 Classified by U.L. in accordance with IEC 44-1

Data Table: Model 3P665

| Catalog Number | Current Ratio | ANSI Metering Class at 60 Hz | | | | | Secondary Winding Resistance (Ω @ 75°C) |
|----------------|---------------|------------------------------|------|------|------|------|---|
| | | BO.1 | BO.2 | BO.5 | BO.9 | B1.8 | |
| 3P665-162 | 1600:5 | 0.3 | 0.3 | 0.6 | 0.6 | 1.2 | 0.231 |
| 3P665-202 | 2000:5 | 0.3 | 0.3 | 0.3 | 0.6 | 0.6 | 0.289 |
| 3P665-242 | 2400:5 | 0.3 | 0.3 | 0.3 | 0.3 | 0.6 | 0.431 |
| 3P665-252 | 2500:5 | 0.3 | 0.3 | 0.3 | 0.3 | 0.3 | 0.449 |
| 3P665-302 | 3000:5 | 0.3 | 0.3 | 0.3 | 0.3 | 0.3 | 0.539 |
| 3P665-322 | 3200:5 | 0.3 | 0.3 | 0.3 | 0.3 | 0.3 | 0.574 |
| 3P665-352 | 3500:5 | 0.3 | 0.3 | 0.3 | 0.3 | 0.3 | 0.712 |
| 3P665-402 | 4000:5 | 0.3 | 0.3 | 0.3 | 0.3 | 0.3 | 0.813 |



Model 3P665



Grid-AIS-L4-ITL_Model_3P665-1198-2017_06-EN. © Copyright 2017. General Electric Company and Instrument Transformers LLC reserve the right to change specifications of described products at any time without notice and without obligation to notify any person of such changes.

